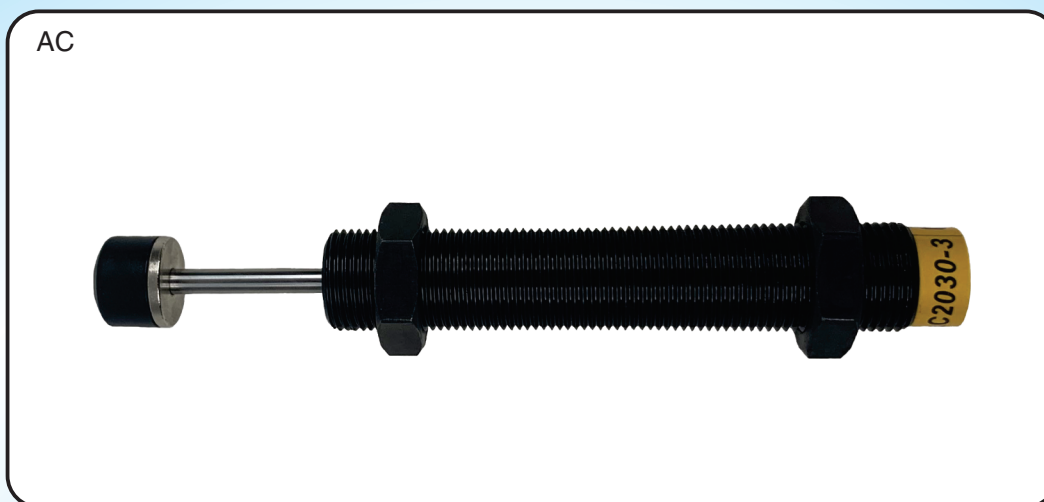
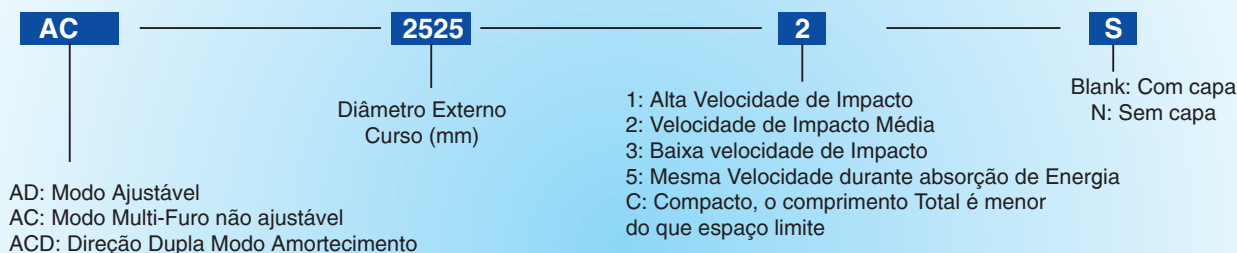


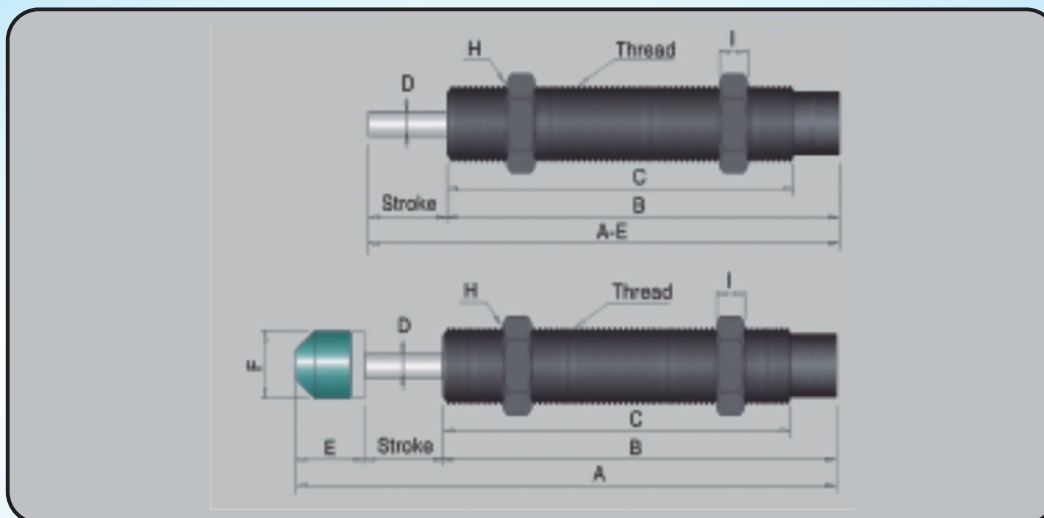
Cilindros Amortecedor de Impacto - AC Básico



Códigos



MODELO	TAMANHO	ROSCA	MÁX. ABSORV ENERGIA POR CICLO E (NUM)	MÁX. ABSORV ENERGIA/HORA EC (NUM)	MÁX. EFEITO MASS. ME (KG)	VELOCIDADE MÁX. IMPACTO (M/S)
AC-0806	6	M8 X 1.0	2	7.200	0.5-6	0.5-2.0
AC-1005	5	M10 X 1.0	3	10.800	1-7	0.8-3.0
AC-1008	8	M10 X 1.0	4	14.400	2-9	0.8-3.0
AC-1210	10	M12 X 1.0	5	18.000	5-30	0.8-3.0
AC-1412	12	M14 X 1.5	15	36.000	8-100	0.8-3.0
AC-1416-C	16	M14 X 1.5	20	35.000	10-150	0.3-0.5
AC-1416	16	M14 X 1.5	20	40.000	10-150	0.8-3.0
AC-1425	25	M14 X 1.5	25	48.000	12-160	0.8-3.0
AC-2020	20	M20 X 1.5	40	48.000	30-700	1.0-3.5
AC-2030	30	M20 X 1.5	50	54.000	30-700	1.0-3.5
AC-2050	50	M20 X 1.5	60	66.000	60-1.200	1.0-3.5
AC-2525	25	M25 X 1.5	80	60.000	200-1.500	1.0-4.0
AC-2540	40	M25 X 1.5	120	84.000	300-2.000	1.0-4.0
AC-2550	50	M25 X 1.5	98	98.000	15-160	1.0-4.0
AC-2580	80	M25 X 1.5	150	127.500	20-200	1.0-4.0
AC-3660	60	M36 X 1.5	250	125.000	400-2.400	1.0-4.0
ACD-2030	30	M20 X 1.5	45	54.000	40-900	1.0-3.5
ADC-2035	35	M20 X 1.5	52	62.4000	40-650	1.0-3.5
ACD-2050-W	50	M20 X 1.5	60	150.000	400	4.0
AC-0608-S	6	M8 X 1.0	3	7.000	6	0.3-2.5
AC-1007-S	7	M10 X 1.0	6	12.400	12	0.3-3.5
AC-1412-SC	12	M14 X 1.5	20	33.000	35	0.3-5.0
AC-1412-S	12	M14 X 1.5	20	33.000	40	0.3-5.0
AC-2015-S	15	M20 X 1.5	59	38.000	120	0.3-5.0
AC-2725-S	25	M27 X 1.5	147	72.000	120	0.3-5.0



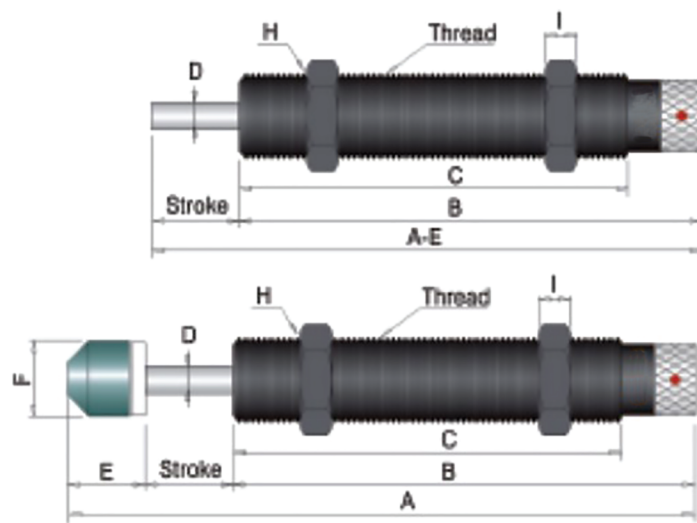
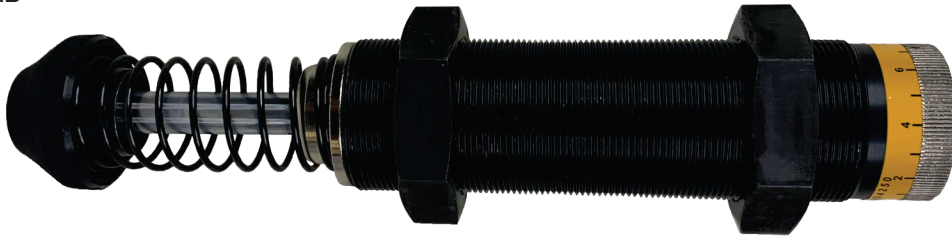
MODELO	ROSCA	TAMANHO	A	B	C	D	E	F	H	I	G
AC-0806-2	M 8 X 1.0	6	50	38	33	2.8	6	6.6	11	3	-
AC-0806-3	M 8 X 1.0	6	50	38	33	2.8	6	6.6	11	3	-
AC-1005-2	M 10 X 1.0	5	38.5	27.5	21.5	2.8	6	8.6	12.7	3	-
AC-1005-3	M 10 X 1.0	5	38.5	27.5	21.5	2.8	6	8.6	12.7	3	-
AC-1008-2	M 10 X 1.0	8	57	43	38	3	6	8.6	12.7	3	-
AC-1008-3	M 10 X 1.0	8	57	43	38	3	6	8.6	12.7	3	-
AC-1210-2	M 12 X 1.0	10	69.4	50	44	3	9.2	9.5	14	4	-
AC-1210-3	M 12 X 1.0	10	69.4	50	44	3	9.2	9.5	14	4	-
AC-1412-2	M 14 X 1.5	12	100	76	67	4	12	11.8	19	6	-
AC-1412-3	M 14 X 1.5	12	100	76	67	4	12	11.8	19	6	-
AC-1416-2	M 14 X 1.5	16	123	95	86	4	12	11.8	19	6	-
AC-1416-3	M 14 X 1.5	16	123	95	86	4	12	11.8	19	6	-
AC-1416-1C	M 14 X 1.5	16	10	76	67	4	12	11.8	19	6	-
AC-1416-2C	M 14 X 1.5	16	10	76	67	4	12	11.8	19	6	-
AC-1416-3C	M 14 X 1.5	16	10	76	67	4	12	11.8	19	6	-
AC-1425-2	M 20 X 1.5	25	147	110	100	4	12	8	19	6	-
AC-1425-3	M 20 X 1.5	25	147	110	100	4	12	8	19	6	-
AC-2020-2	M 20 X 1.5	20	145.8	110	101	6	15.8	18	26	8	-
AC-2020-3	M 20 X 1.5	20	145.8	110	101	6	15.8	18	26	8	-
AC-2030-2	M 20 X 1.5	30	155.8	110	101	6	15.8	18	26	8	-
AC-2030-3	M 20 X 1.5	30	155.8	110	101	6	15.8	18	26	8	-
AC-2050-2	M 20 X 1.5	50	232.8	167	158	6	15.8	18	26	8	-
AC-2050-3	M 20 X 1.5	50	232.8	167	158	6	15.8	18	26	8	-
AC-2525-2	M 25 X 1.5	25	154.5	111	101	8	18.5	22	32	10	-
AC-2525-3	M 25 X 1.5	25	154.5	111	101	8	18.5	22	32	10	-
AC-2540-2	M 25 X 1.5	40	214	137	117	8	37	22	32	10	10
AC-2540-3	M 25 X 1.5	40	214	137	117	8	37	22	32	10	10
AC-2550-2	M 25 X 1.5	50	239	170.5	100	8	18.5	22	32	10	-
AC-2550-3	M 25 X 1.5	50	239	170.5	100	8	18.5	22	32	10	-
AC-2580-2	M 25 X 1.5	80	335.5	237	100	8	18.5	22	32	10	-
AC-2580-3	M 25 X 1.5	80	335.5	237	100	8	18.5	22	32	10	-
AC-0806-SN	M 8 X 1.0	6	-	39.6	33.6	2.8	-	-	11	3	-
AC-0806-S	M 8 X 1.0	6	51.6	39.6	33.6	2.8	6	6.7	11	3	-
AC-1007-SN	M 10 X 1.0	7	-	47.5	39	3	-	-	12.7	3	-
AC-1007-S	M 10 X 1.0	7	63	47.5	39	3	8.5	8.5	12.7	3	-
AC-1412-SN	M 14 X 1.5	12	-	67	58.5	4	-	-	19	6	-
AC-1412-S	M 14 X 1.5	12	91	67	58.5	4	12	11.9	19	6	-
AC-2015-SN	M 20 X 1.5	15	-	74	62.5	6	-	-	26	6	-
AC-2015-S	M 20 X 1.5	15	105.2	74	62.5	6	16.2	17.9	26	6	-
AC-2725-SN	M 27 X 1.5	25	-	99	85.5	8	-	-	36	6	-
AC-2725-S	M 27 X 1.5	25	143.5	99	85.5	8	19.5	22	36	6	-
AC-1412-SCN	M 14 X 1.5	12	-	55	46.5	4	-	-	19	6	-
AC-1412-SC	M 14 X 1.5	12	78.8	55	46.5	4	11.8	12	19	6	-

MODELO	TAMANHO	ROSCA	MÁX. ABSORV ENERGIA POR CICLO E (NUM)	MÁX. ABSORV ENERGIA/HORA EC (NUM)	MÁX. EFEITO MASS. ME (KG)	VELOCIDADE MÁX. IMPACTO (M/S)
AD-1410	10	M4 X 1.5	20	24.000	80	3.2
AD-2016	16	M20 X 1.5	25	32.000	200	3.6
AD-2025	25	M20 X 1.5	39	39.000	312	3.6
AD-2525	25	M25 X 1.5	85	51.000	400	3.6
AD-2540	40	M25 X 1.5	100	84.000	700	3.6
AD-2550	50	M25 X 1.5	98	98.000	720	4.2
AD-3625	25	M36 X 1.5	150	90.000	1.400	3.2
AD-3650	50	M36 X 1.5	300	108.000	1.400	3.2
AD-4225	25	M42 X 1.5	260	130.000	3.000	3.6
AD-4250	50	M42 X 1.5	500	155.000	4.000	4.8
AD-4275	75	M42 X 1.5	750	187.500	6.000	4.8
AD-64050	50	UNF21/2-12	12.00	1.560.000	12.727	1.6
AD-64100	100	UNF21/2-12	24.000	1.920.000	18.181	1.6
AD-64150	150	UNF21/2-12	36.000	2.520.00	23.636	1.6

Amortecedor

Amortecedor de Impacto - Dimensional AD

AD

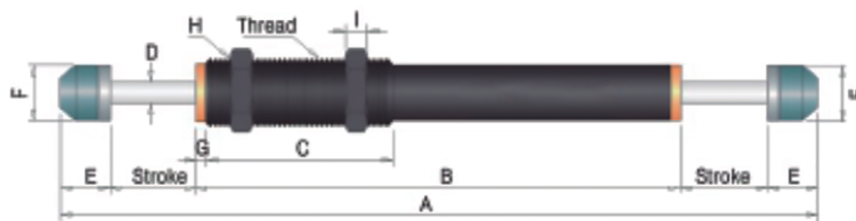


MODELO	ROSCA	TAMANHO	A	B	C	D	E	F	H	I	G
AD-1410-N	M 14 X 1.5	10	-	88.2	72.5	4	-	-	19	6	-
AD-1410	M 14 X 1.5	10	110.2	-	72.5	4	12	11.8	19	6	-
AD-2016-N	M 20 X 1.5	16	-	117	101	6	-	-	26	6	-
AD-2016	M 20 X 1.5	16	148.8	117	101	6	15.8	18	26	8	-
AD-2025-N	M 20 X 1.5	25	-	117	101	6	-	-	26	8	-
AD-2025	M 20 X 1.5	25	157.8	117	101	6	15.8	16	26	8	-
AD-2525-N	M 25 X 1.5	25	-	118.5	101	8	-	-	32	10	-
AD-2525	M 25 X 1.5	25	162	118.5	101	8	18.5	22	32	10	-
AD-2540	M 25 X 1.5	40	221.5	144.5	117	8	37	22	32	10	10
AD-2550	M 25 X 1.5	62	260.3	178	100.5	8	20.3	22	32	10	-
AD-3625	M 36 X 1.5	25	183.1	133	103	10	25.1	35.5	46	15	10
AD-3650	M 36 X 1.5	50	246.1	171	134	10	25.1	35.5	46	15	17
AD-4225	M 42 X 1.5	25	184.4	126	88	12	33.4	44.5	50	15	29
AD-4250	M 42 X 1.5	50	245.4	157	117.5	12	38.4	44.5	50	15	29
AD-4275	M 42 X 1.5	75	300.9	187.5	148	12	38.4	44.5	50	15	29
AD-64050	UNF21/2-12	50	247.1	146.1	26	20	51	59	76.3	9.5	26
AD-64100	UNF21/2-12	100	247.1	196.1	26	20	51	59	76.3	9.5	26
AD-64150	UNF21/2-12	150	467.1	256.1	26	20	61	59	76.3	9.5	26

Amortecedor

Amortecedor de Impacto - Dimensional ACD

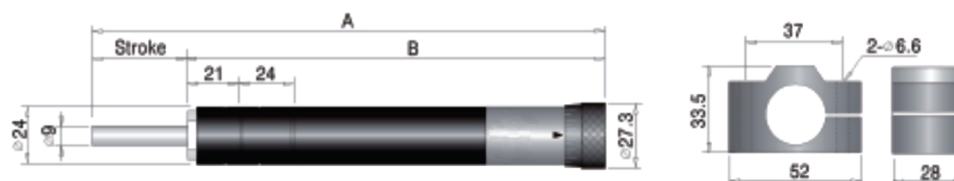
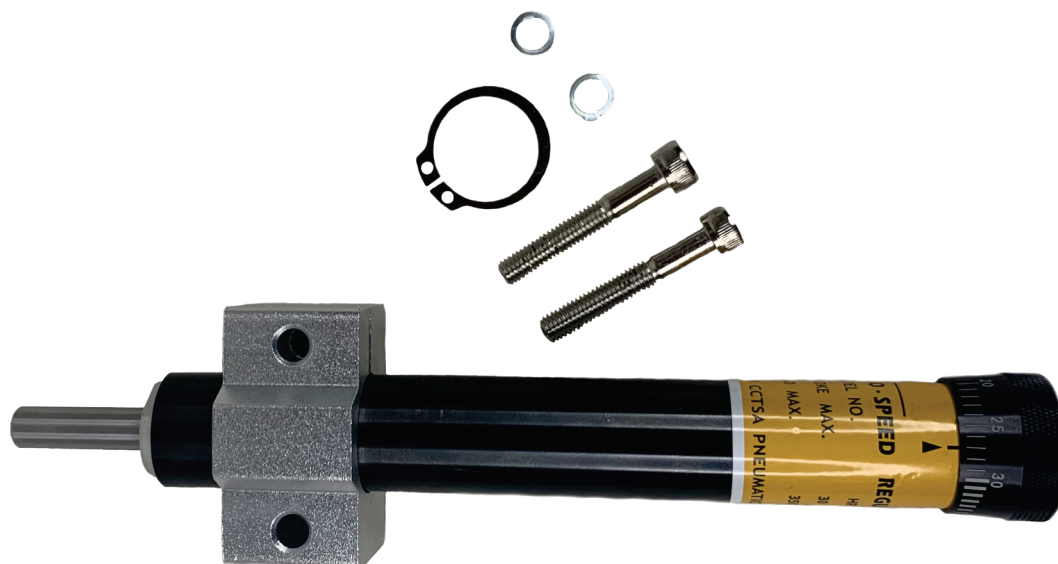
ACD



MODELO	ROSCA	TAMANHO	A	B	C	D	E	F	H	I	G
ACD-2030-1	M 20 X 1.5	30	217.8	123	46	5	17.4	18	26	8	3
ACD-2030-2	M 20 X 1.5	30	217.8	123	46	5	17.4	18	26	8	3
ACD-2030-3	M 20 X 1.5	30	217.8	123	46	5	17.4	18	26	8	3
ACD-2035-1	M 20 X 1.5	35	227.8	123	46	5	17.4	18	26	8	3
ACD-2035-2	M 20 X 1.5	35	227.8	123	46	5	17.4	18	26	8	3
ACD-2035-3	M 20 X 1.5	35	227.8	123	46	5	17.4	18	26	8	3
ACD-2050-W	M 20 X 1.5	50	31.9	148	12.5	6	21.9	18	26	8	-

Amortecedor Regulador de Fluxo Hidráulico HR

HR



MODELO	A	B	CURSO MÁXIMO	TEMPERATURA TRABALHO	CARGA MÁXIMA (KGF)
HR15	157	142	15MM	0-70°C	350 KGF
HR30	208	178	30MM	0-70°C	350 KGF
HR60	286	226	60MM	0-70°C	350 KGF