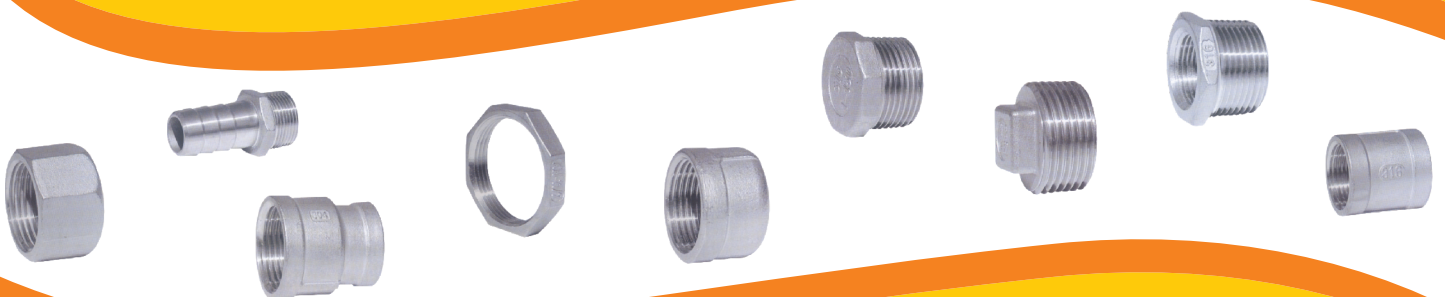


**CONECFIT**

Produtos Pneumáticos

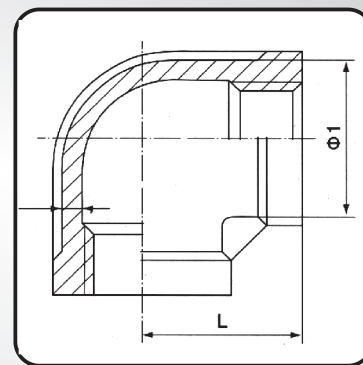
ACESSÓRIOS  
INOX



COTOVELO 90° FEMEA/FEMEA



316 NPT	316 BSP	304 NPT	304 BSP	MACHO X FÊMEA
316L 01	316L 01G	304L 01	304L 01G	1/8"
316L 02	316L 02G	304L 02	304L 02G	1/4"
316L 03	316L 03G	304L 03	304L 03G	3/8"
316L 04	316L 04G	304L 04	304L 04G	1/2"
316L 06	316L 06G	304L 06	304L 06G	3/4"
316L 10	316L 10G	304L 10	304L 10G	1"
316L 12	316L 12G	304L 12	304L 12G	1 1/4"
316L 14	316L 14G	304L 14	304L 14G	1 1/2"
316L 20	316L 20G	304L 20	304L 20G	2"
316L 24	316L 24G	304L 24	304L 24G	2 1/2"
316L 30	316L 30G	304L 30	304L 30G	3"
316L 40	316L 40G	304L 40	304L 40G	4"

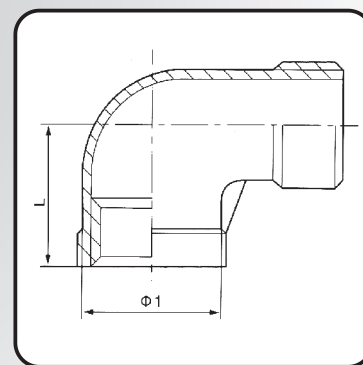


MODELO	TAMANHO	1/8	1/4	3/8	1/2	3/4	1	1 1/4	1 1/2	2	2 1/2	3	4
ISO4144	ø 1	13	16	20	24.5	30	37.5	46.5	53	65.5	82	95.5	121.5
	L	17	19	23	27	32	38	45	48	57	69	78	96
	T (Espessura)	2.5	2.5	2.8	1.65	1.75	2	2.25	2.5	2.85	3.25	3.75	4.25

COTOVELO 90° MACHO/FEMEA



316 NPT	316 BSP	304 NPT	304 BSP	MACHO X FÊMEA
316LMF 01	316LMF 01G	304LMF 01	304LMF 01G	1/8"
316LMF 02	316LMF 02G	304LMF 02	304LMF 02G	1/4"
316LMF 03	316LMF 03G	304LMF 03	304LMF 03G	3/8"
316LMF 04	316LMF 04G	304LMF 04	304LMF 04G	1/2"
316LMF 06	316LMF 06G	304LMF 06	304LMF 06G	3/4"
316LMF 10	316LMF 10G	304LMF 10	304LMF 10G	1"
316LMF 12	316LMF 12G	304LMF 12	304LMF 12G	1 1/4"
316LMF 14	316LMF 14G	304LMF 14	304LMF 14G	1 1/2"
316LMF 20	316LMF 20G	304LMF 20	304LMF 20G	2"
316LMF 24	316LMF 24G	304LMF 24	304LMF 24G	2 1/2"
316LMF 30	316LMF 30G	304LMF 30	304LMF 30G	3"
316LMF 40	316LMF 40G	304LMF 40	304LMF 40G	4"

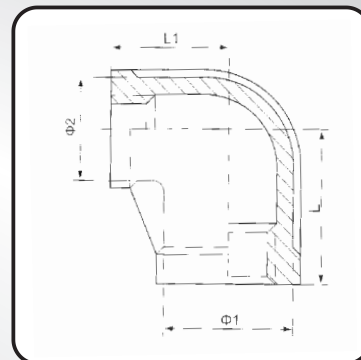


MODELO	TAMANHO	1/8	1/4	3/8	1/2	3/4	1	1 1/4	1 1/2	2	2 1/2	3	4
ISO4144	ø 1	13	16	20	24.5	30	37.5	46.5	53	65.5	82	95.5	121.5
	L	17	19	23	27	32	38	45	48	57	69	78	96

COTOVELO C/ REDUÇÃO 90°



316 NPT	316 BSP	304 NPT	304 BSP	MACHO X FÊMEA
316LR 02 X01	316LR 02 X01G	304LR 02 X01	304LR 02 X01G	1/4" * 1/8"
316LR 03 X02	316LR 03 X02G	304LR 03 X02	304LR 03 X02G	3/8" * 1/4"
316LR 04 X03	316LR 04 X03G	304LR 04 X03	304LR 04 X03G	1/2" * 3/8"
316LR 06 X03	316LR 06 X03G	304LR 06 X03	304LR 06 X03G	3/4" * 3/8"
316LR 06 X04	316LR 06 X04G	304LR 06 X04	304LR 06 X04G	3/4" * 1/2"
316LR 10 X04	316LR 10 X03G	304LR 10 X03	304LR 10 X03G	1" * 1/2"
316LR 10 X06	316LR 10 X04G	304LR 10 X04	304LR 10 X04G	1" * 3/4"
316LR 12 X06	316LR 12 X06G	304LR 12 X06	304LR 12 X06G	1 1/4" * 3/4"
316LR 12 X10	316LR 12 X10G	304LR 12 X10	304LR 12 X10G	1 1/4" * 1"
316LR 14 X04	316LR 14 X04G	304LR 14 X04	304LR 14 X04G	1 1/2" * 1/2"
316LR 14 X10	316LR 14 X10G	304LR 14 X10	304LR 14 X10G	1 1/2" * 1"
316LR 14 X12	316LR 14 X12G	304LR 14 X12	304LR 14 X12G	1 1/2" * 1 1/4"
316LR 20 X14	316LR 20 X14G	304LR 20 X14	304LR 20 X14G	2" * 1 1/2"

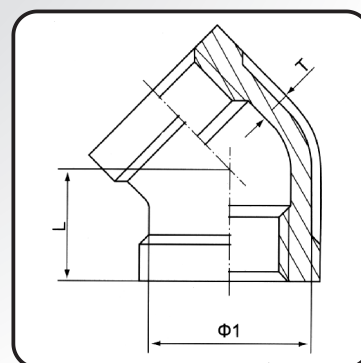


MODELO	TAMANHO	1/4	3/8	1/2		3/4		1		1 1/4	
		1/8	1/4	1/4	1/2	3/8	1/2	1/2	3/4	3/4	1
ISO4144	ø 1	16	20	24.5	24.5	30	30	37.5	37.5	46.5	46.5
	ø 2	13	16	16	20	20	24.5	24.5	30	30	37.5
	L	18	22	24	25	28	30	33	35	40	42
	L1	18	20	24	26	28	29	32	34	38	40
MODELO	TAMANHO	1 1/2		2		2 1/2		3		4	
		1	1 1/4	1 1/4	1 1/2	1 1/2	2	2	2 1/2	2 1/2	3
ISO4144	ø 1	53	53	65.5	65.5	82	82	95.5	95.5	121.5	121.5
	ø 2	37.5	46.5	46.5	53	53	65.5	65.5	82	82	95.5
	L	45	48	54	55	62	65	72	75	90	91
	L1	41	45	48	52	55	60	62	72	78	83

COTOVELO 45° FEMEA/FEMEA



316 NPT	316 BSP	304 NPT	304 BSP	MACHO X FÊMEA
316L45 01	316L45 01G	304L45 01	304L45 01G	1/8"
316L45 02	316L45 02G	304L45 02	304L45 02G	1/4"
316L45 03	316L45 03G	304L45 03	304L45 03G	3/8"
316L45 04	316L45 04G	304L45 04	304L45 04G	1/2"
316L45 06	316L45 06G	304L45 06	304L45 06G	3/4"
316L45 10	316L45 10G	304L45 10	304L45 10G	1"
316L45 12	316L45 12G	304L45 12	304L45 12G	1 1/4"
316L45 14	316L45 14G	304L45 14	304L45 14G	1 1/2"
316L45 20	316L45 20G	304L45 20	304L45 20G	2"
316L45 24	316L45 24G	304L45 24	304L45 24G	2 1/2"
316L45 30	316L45 30G	304L45 30	304L45 30G	3"
316L45 40	316L45 40G	304L45 40	304L45 40G	4"

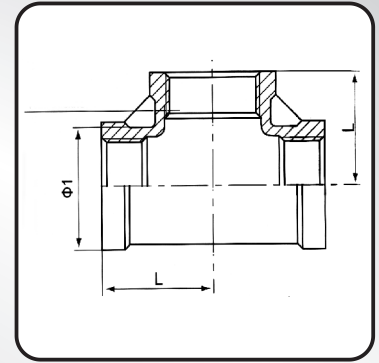


MODELO	TAMANHO	1/8	1/4	3/8	1/2	3/4	1	1 1/4	1 1/2	2	2 1/2	3	4
ISO4144	ø 1	13	16	20	24.5	30	37.5	46.5	53	65.5	82	95.5	121.5
	L	16	17	19	21	25	29	33	37	42	49	54	64
	T (Espessura)	2.5	2.5	2.8	1.65	1.75	2.0	2.25	2.5	2.85	3.25	3.75	4.25

TEE COM ROSCA FEMEA



316 NPT	316 BSP	304 NPT	304 BSP	MACHO X FÊMEA
316T 01	316T 01G	304T 01	304T 01G	1/8"
316T 02	316T 02G	304T 02	304T 02G	1/4"
316T 03	316T 03G	304T 03	304T 03G	3/8"
316T 04	316T 04G	304T 04	304T 04G	1/2"
316T 06	316T 06G	304T 06	304T 06G	3/4"
316T 10	316T 10G	304T 10	304T 10G	1"
316T 12	316T 12G	304T 12	304T 12G	1 1/4"
316T 14	316T 14G	304T 14	304T 14G	1 1/2"
316T 20	316T 20G	304T 20	304T 20G	2"
316T 24	316T 24G	304T 24	304T 24G	2 1/2"
316T 30	316T 30G	304T 30	304T 30G	3"
316T 40	316T 40G	304T 40	304T 40G	4"

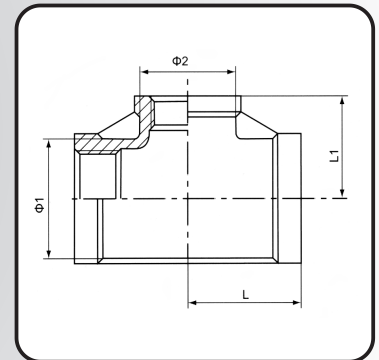


MODELO	TAMANHO	1/8	1/4	3/8	1/2	3/4	1	1 1/4	1 1/2	2	2 1/2	3	4
ISO4144	ø 1	13	16	20	24.5	30	37.5	46.5	53	65.5	82	95.5	121.5
	L	17	19	23	27	32	38	45	48	57	69	78	96
	T (Espessura)	2.5	2.5	2.8	1.65	1.75	2	2.25	2.5	2.85	3.25	3.75	4.25

T COM REDUÇÃO FEMEA



316 NPT	316 BSP	304 NPT	304 BSP	MACHO X FÊMEA
316TR 02 X01	316TR 02 X01G	304TR 02 X01	304TR 02 X01G	1/4" * 1/8"
316TR 03 X01	316TR 03 X01G	304TR 03 X01	304TR 03 X01G	3/8" * 1/8"
316TR 03 X02	316TR 03 X02G	304TR 03 X02	304TR 03 X02G	3/8" * 1/4"
316TR 04 X02	316TR 04 X02G	304TR 04 X02	304TR 04 X02G	1/2" * 1/4"
316TR 04 X03	316TR 04 X03G	304TR 04 X03	304TR 04 X03G	1/2" * 3/8"
316TR 06 X03	316TR 06 X03G	304TR 06 X03	304TR 06 X03G	3/4" * 3/8"
316TR 06 X04	316TR 06 X04G	304TR 06 X04	304TR 06 X04G	3/4" * 1/2"
316TR 10 X04	316TR 10 X04G	304TR 10 X04	304TR 10 X04G	1" * 1/2"
316TR 10 X06	316TR 10 X06G	304TR 10 X06	304TR 10 X06G	1" * 3/4"
316TR 12 X04	316TR 12 X04G	304TR 12 X04	304TR 12 X04G	1 1/4" * 1/2"
316TR 12 X06	316TR 12 X06G	304TR 12 X06	304TR 12 X06G	1 1/4" * 3/4"
316TR 12 X10	316TR 12 X10G	304TR 12 X10	304TR 12 X10G	1 1/4" * 1"
316TR 14 X04	316TR 14 X04G	304TR 14 X04	304TR 14 X04G	1 1/2" * 1/2"
316TR 14 X06	316TR 14 X06G	304TR 14 X06	304TR 14 X06G	1 1/2" * 3/4"
316TR 14 X10	316TR 14 X10G	304TR 14 X10	304TR 14 X10G	1 1/2" * 1"
316TR 14 X12	316TR 14 X12G	304TR 14 X12	304TR 14 X12G	1 1/2" * 1 1/4"
316TR 20 X06	316TR 20 X06G	304TR 20 X06	304TR 20 X06G	2" * 3/4"
316TR 20 X10	316TR 20 X10G	304TR 20 X10	304TR 20 X10G	2" * 1"
316TR 20 X12	316TR 20 X12G	304TR 20 X12	304TR 20 X12G	2" * 1 1/4"
316TR 20 X14	316TR 20 X14G	304TR 20 X14	304TR 20 X14G	2" * 1 1/2"



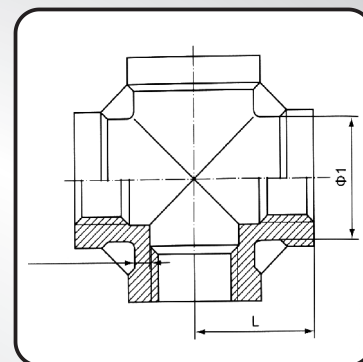
MODELO	TAMANHO	1/4	3/8	1/2		3/4		1		1 1/4	
		1/8	1/4	1/4	1/2	3/8	1/2	1/2	3/4	3/4	1
ISO4144	ø 1	16	20	24.5	24.5	30	30	37.5	37.5	46.5	46.5
	ø 2	13	16	16	20	20	24.5	24.5	30	30	37.5
	L	18	22	24	25	28	30	33	35	40	42
	L1	18	20	24	26	28	29	32	34	38	40
MODELO	TAMANHO	1 1/2		2		2 1/2		3		4	
		1	1 1/4	1 1/4	1 1/2	1 1/2	2	2	2 1/2	2 1/2	3
ISO4144	ø 1	53	53	65.5	65.5	82	82	95.5	95.5	121.5	121.5
	ø 2	37.5	46.5	46.5	53	53	65.5	65.5	82	82	95.5
	L	45	48	54	55	62	65	72	75	90	91
	L1	41	45	48	52	55	60	62	72	78	83



CRUZETA C/ ROSCA FEMEA



316 NPT	316 BSP	304 NPT	304 BSP	MACHO X FÊMEA
316CR 01	316CR 01G	304CR 01	304CR 01G	1/8"
316CR 02	316CR 02G	304CR 02	304CR 02G	1/4"
316CR 03	316CR 03G	304CR 03	304CR 03G	3/8"
316CR 04	316CR 04G	304CR 04	304CR 04G	1/2"
316CR 06	316CR 06G	304CR 06	304CR 06G	3/4"
316CR 10	316CR 10G	304CR 10	304CR 10G	1"
316CR 12	316CR 12G	304CR 12	304CR 12G	1 1/4"
316CR 14	316CR 14G	304CR 14	304CR 14G	1 1/2"
316CR 20	316CR 20G	304CR 20	304CR 20G	2"
316CR 24	316CR 24G	304CR 24	304CR 24G	2 1/2"
316CR 30	316CR 30G	304CR 30	304CR 30G	3"
316CR 40	316CR 40G	304CR 40	304CR 40G	4"

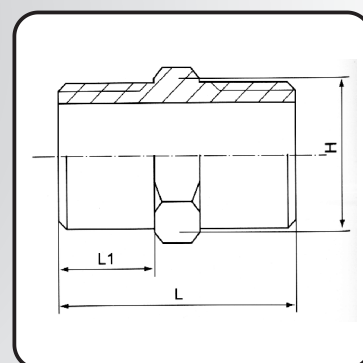


MODELO	TAMANHO	1/8	1/4	3/8	1/2	3/4	1	1 1/4	1 1/2	2	2 1/2	3	4
ISO4144	ø 1	13	16	20	24.5	30	37.5	46.5	53	65.5	82	95.5	121.5
	L	17	16	23	27	32	38	45	48	57	69	78	96
	T(Espessura)	2.5	2.5	2.8	1.65	1.75	2	2.25	2.5	2.85	3.25	3.75	4.25

NIPPLE DUPLO SEXTAVADO



316 NPT	316 BSP	304 NPT	304 BSP	MACHO X FÊMEA
316NI 01	316NI 01G	304NI 01	304NI 01G	1/8"
316NI 02	316NI 02G	304NI 02	304NI 02G	1/4"
316NI 03	316NI 03G	304NI 03	304NI 03G	3/8"
316NI 04	316NI 04G	304NI 04	304NI 04G	1/2"
316NI 06	316NI 06G	304NI 06	304NI 06G	3/4"
316NI 10	316NI 10G	304NI 10	304NI 10G	1"
316NI 12	316NI 12G	304NI 12	304NI 12G	1 1/4"
316NI 14	316NI 14G	304NI 14	304NI 14G	1 1/2"
316NI 20	316NI 20G	304NI 20	304NI 20G	2"
316NI 24	316NI 24G	304NI 24	304NI 24G	2 1/2"
316NI 30	316NI 30G	304NI 30	304NI 30G	3"
316NI 40	316NI 40G	304NI 40	304NI 40G	4"

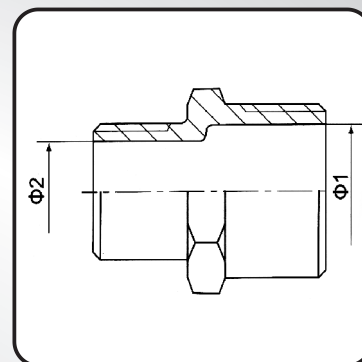


MODELO	TAMANHO	1/8	1/4	3/8	1/2	3/4	1	1 1/4	1 1/2	2	2 1/2	3	4
ISO4144	L	20	25	27	34	36.5	42	47.5	17.5	57	61	67.5	80
	L1	8	10.5	11	14.5	15.5	18	20.5	20.5	25	27	30	36
	H	11	15	18	22	28	35	43.5	49.5	62	77.5	90.5	117

NIPPLE DUPLO SEXTAVADO COM REDUÇÃO



316 NPT	316 BSP	304 NPT	304 BSP	MACHO X FÊMEA
316NR 02 X01	316NR 02 X01G	304NR 02 X01	304NR 02 X01G	1/4" * 1/8"
316NR 03 X01	316NR 03 X01G	304NR 03 X01	304NR 03 X01G	3/8" * 1/8"
316NR 03 X02	316NR 03 X02G	304NR 03 X02	304NR 03 X02G	3/8" * 1/4"
316NR 04 X01	316NR 04 X01G	304NR 04 X01	304NR 04 X01G	1/2" * 1/8"
316NR 04 X02	316NR 04 X02G	304NR 04 X02	304NR 04 X02G	1/2" * 1/4"
316NR 04 X03	316NR 04 X03G	304NR 04 X03	304NR 04 X03G	1/2" * 3/8"
316NR 06 X02	316NR 06 X02G	304NR 06 X02	304NR 06 X02G	3/4" * 1/4"
316NR 06 X03	316NR 06 X03G	304NR 06 X03	304NR 06 X03G	3/4" * 3/8"
316NR 06 X04	316NR 06 X04G	304NR 06 X04	304NR 06 X04G	3/4" * 1/2"
316NR 10 X02	316NR 10 X02G	304NR 10 X02	304NR 10 X02G	1" * 1/4"
316NR 10 X03	316NR 10 X03G	304NR 10 X03	304NR 10 X03G	1" * 3/8"
316NR 10 X04	316NR 10 X04G	304NR 10 X04	304NR 10 X04G	1" * 1/2"
316NR 10 X06	316NR 10 X06G	304NR 10 X06	304NR 10 X06G	1" * 3/4"
316NR 12 X04	316NR 12 X04G	304NR 12 X04	304NR 12 X04G	1 1/4" * 1/2"
316NR 12 X06	316NR 12 X06G	304NR 12 X06	304NR 12 X06G	1 1/4" * 3/4"
316NR 12 X10	316NR 12 X10G	304NR 12 X10	304NR 12 X10G	1 1/4" * 1"
316NR 14 X04	316NR 14 X04G	304NR 14 X04	304NR 14 X04G	1 1/2" * 1/2"
316NR 14 X06	316NR 14 X06G	304NR 14 X06	304NR 14 X06G	1 1/2" * 3/4"
316NR 14 X10	316NR 14 X10G	304NR 14 X10	304NR 14 X10G	1 1/2" * 1"
316NR 14 X12	316NR 14 X12G	304NR 14 X12	304NR 14 X12G	1 1/2" * 1 1/4"
316NR 20 X04	316NR 20 X04G	304NR 20 X04	304NR 20 X04G	2" * 1/2"
316NR 20 X06	316NR 20 X06G	304NR 20 X06	304NR 20 X06G	2" * 3/4"
316NR 20 X10	316NR 20 X10G	304NR 20 X10	304NR 20 X10G	2" * 1"
316NR 20 X12	316NR 20 X12G	304NR 20 X12	304NR 20 X12G	2" * 1 1/4"
316NR 20 X14	316NR 20 X14G	304NR 20 X14	304NR 20 X14G	2" * 1 1/2"
316NR 24 X14	316NR 24 X14G	304NR 24 X14	304NR 24 X14G	2" 1/2" * 1 1/2"
316NR 24 X20	316NR 24 X20G	304NR 24 X20	304NR 24 X20G	2" 1/2" * 2"
316NR 30 X20	316NR 30 X20G	304NR 30 X20	304NR 30 X20G	3" * 2"
316NR 30 X24	316NR 30 X24G	304NR 30 X24	304NR 30 X24G	3" * 2 1/2"
316NR 40 X20	316NR 40 X20G	304NR 40 X20	304NR 40 X20G	4" * 2"
316NR 40 X24	316NR 40 X24G	304NR 40 X24	304NR 40 X24G	4" * 2 1/2"
316NR 40 X30	316NR 40 X30G	304NR 40 X30	304NR 40 X30G	4" * 3"

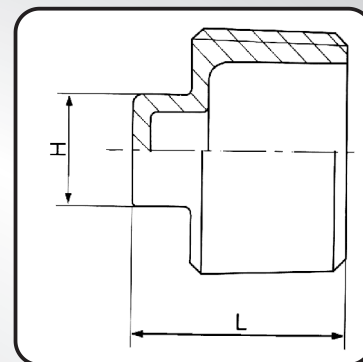


MODELO	TAMANHO	1/4	3/8	1/2		3/4		1		1 1/4	
		1/8	1/4	1/4	1/2	3/8	1/2	1/2	3/4	3/4	1
ISO4144	ø 1	8	11.5	15	20.5	30	20.5	26	26	34.5	34.5
	ø 2	5.5	8	11.5	11.5	20	15	15	20.5	20.5	26
MODELO	TAMANHO	1 1/2		2		2 1/2		3		4	
		1	1 1/4	1 1/4	1 1/2	1 1/2	2	2	2 1/2	2 1/2	3
ISO4144	ø 1	40	40	51	51	65.5	65.5	77.5	77.5	101.5	101.5
	ø 2	26	34.5	34.5	40	40	51	51	65.5	65.5	77.5

PLUG (BUJÃO) CABEÇA QUADRADA



316 NPT	316 BSP	304 NPT	304 BSP	MACHO X FÊMEA
316BUQ 01	316BUQ 01G	304BUQ 01	304BUQ 01G	1/8"
316BUQ 02	316BUQ 02G	304BUQ 02	304BUQ 02G	1/4"
316BUQ 03	316BUQ 03G	304BUQ 03	304BUQ 03G	3/8"
316BUQ 04	316BUQ 04G	304BUQ 04	304BUQ 04G	1/2"
316BUQ 06	316BUQ 06G	304BUQ 06	304BUQ 06G	3/4"
316BUQ 10	316BUQ 10G	304BUQ 10	304BUQ 10G	1"
316BUQ 12	316BUQ 12G	304BUQ 12	304BUQ 12G	1 1/4"
316BUQ 14	316BUQ 14G	304BUQ 14	304BUQ 14G	1 1/2"
316BUQ 20	316BUQ 20G	304BUQ 20	304BUQ 20G	2"
316BUQ 24	316BUQ 24G	304BUQ 24	304BUQ 24G	2 1/2"
316BUQ 30	316BUQ 30G	304BUQ 30	304BUQ 30G	3"
316BUQ 40	316BUQ 40G	304BUQ 40	304BUQ 40G	4"

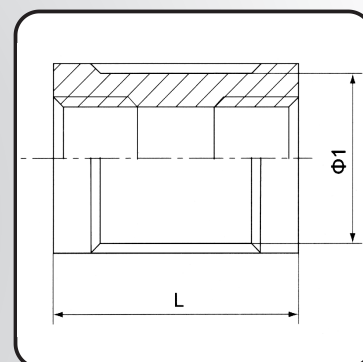


MODELO	TAMANHO	1/8	1/4	3/8	1/2	3/4	1	1 1/4	1 1/2	2	2 1/2	3	4
ISO4144	ø 1	13	16	20	24.5	30	37.5	46.5	53	65.5	82	95.5	121.5
	L	17	24	25	32	35	41	45	45	54	63	69	81

LUVA C/ ROSCA FEMEA



316 NPT	316 BSP	304 NPT	304 BSP	MACHO X FÊMEA
316LU 01	316LU 01G	304LU 01	304LU 01G	1/8"
316LU 02	316LU 02G	304LU 02	304LU 02G	1/4"
316LU 03	316LU 03G	304LU 03	304LU 03G	3/8"
316LU 04	316LU 04G	304LU 04	304LU 04G	1/2"
316LU 06	316LU 06G	304LU 06	304LU 06G	3/4"
316LU 10	316LU 10G	304LU 10	304LU 10G	1"
316LU 12	316LU 12G	304LU 12	304LU 12G	1 1/4"
316LU 14	316LU 14G	304LU 14	304LU 14G	1 1/2"
316LU 20	316LU 20G	304LU 20	304LU 20G	2"
316LU 24	316LU 24G	304LU 24	304LU 24G	2 1/2"
316LU 30	316LU 30G	304LU 30	304LU 30G	3"
316LU 40	316LU 40G	304LU 40	304LU 40G	4"

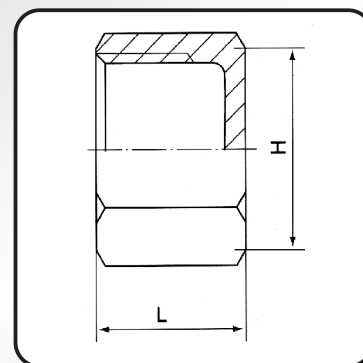


MODELO	TAMANHO	1/8	1/4	3/8	1/2	3/4	1	1 1/4	1 1/2	2	2 1/2	3	4
ISO4144	ø 1	13	16	20	24.5	30	37.5	46.5	53	65.5	82	95.5	121.5
	L	17	24	25	32	35	41	45	45	54	63	69	81

TAMPÃO SEXTAVADO



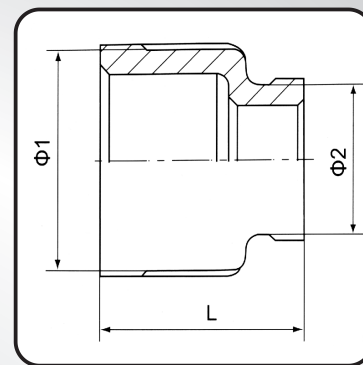
316 NPT	316 BSP	304 NPT	304 BSP	MACHO X FÊMEA
316TAL 01	316TAL 01G	304TAL 01	304TAL 01G	1/8"
316TAL 02	316TAL 02G	304TAL 02	304TAL 02G	1/4"
316TAL 03	316TAL 03G	304TAL 03	304TAL 03G	3/8"
316TAL 04	316TAL 04G	304TAL 04	304TAL 04G	1/2"
316TAL 06	316TAL 06G	304TAL 06	304TAL 06G	3/4"
316TAL 10	316TAL 10G	304TAL 10	304TAL 10G	1"
316TAL 12	316TAL 12G	304TAL 12	304TAL 12G	1 1/4"
316TAL 14	316TAL 14G	304TAL 14	304TAL 14G	1 1/2"
316TAL 20	316TAL 20G	304TAL 20	304TAL 20G	2"
316TAL 24	316TAL 24G	304TAL 24	304TAL 24G	2 1/2"
316TAL 30	316TAL 30G	304TAL 30	304TAL 30G	3"
316TAL 40	316TAL 40G	304TAL 40	304TAL 40G	4"



MODELO	TAMANHO	1/8	1/4	3/8	1/2	3/4	1	1 1/4	1 1/2	2	2 1/2	3	4
ISO4144	H	13.5	17	20.5	25	31	38	47	53	66	82	95.5	121.5
	L	13.5	17	17.5	21	22.5	26	29	29	33.5	38.5	42	48.5



316 NPT	316 BSP	304 NPT	304 BSP	MACHO X FÊMEA
316LUR 02 X01	316LUR 02 X01G	304LUR 02 X01	304LUR 02 X01G	1/4" * 1/8"
316LUR 03 X01	316LUR 03 X01G	304LUR 03 X01	304LUR 03 X01G	3/8" * 1/8"
316LUR 03 X02	316LUR 03 X02G	304LUR 03 X02	304LUR 03 X02G	3/8" * 1/4"
316LUR 04 X01	316LUR 04 X01G	304LUR 04 X01	304LUR 04 X01G	1/2" * 1/8"
316LUR 04 X02	316LUR 04 X02G	304LUR 04 X02	304LUR 04 X02G	1/2" * 1/4"
316LUR 04 X03	316LUR 04 X03G	304LUR 04 X03	304LUR 04 X03G	1/2" * 3/8"
316LUR 06 X02	316LUR 06 X02G	304LUR 06 X02	304LUR 06 X02G	3/4" * 1/4"
316LUR 06 X03	316LUR 06 X03G	304LUR 06 X03	304LUR 06 X03G	3/4" * 3/8"
316LUR 06 X04	316LUR 06 X04G	304LUR 06 X04	304LUR 06 X04G	3/4" * 1/2"
316LUR 10 X02	316LUR 10 X02G	304LUR 10 X02	304LUR 10 X02G	1" * 1/4"
316LUR 10 X03	316LUR 10 X03G	304LUR 10 X03	304LUR 10 X03G	1" * 3/8"
316LUR 10 X04	316LUR 10 X04G	304LUR 10 X04	304LUR 10 X04G	1" * 1/2"
316LUR 10 X06	316LUR 10 X06G	304LUR 10 X06	304LUR 10 X06G	1" * 3/4"
316LUR 12 X02	316LUR 12 X02G	304LUR 12 X02	304LUR 12 X02G	1 1/4" * 1/4"
316LUR 12 X03	316LUR 12 X03G	304LUR 12 X03	304LUR 12 X03G	1 1/4" * 3/8"
316LUR 12 X04	316LUR 12 X04G	304LUR 12 X04	304LUR 12 X04G	1 1/4" * 1/2"
316LUR 12 X06	316LUR 12 X06G	304LUR 12 X06	304LUR 12 X06G	1 1/4" * 3/4"
316LUR 12 X10	316LUR 12 X10G	304LUR 12 X10	304LUR 12 X10G	1 1/4" * 1"
316LUR 14 X03	316LUR 14 X03G	304LUR 14 X03	304LUR 14 X03G	1 1/2" * 3/8"
316LUR 14 X04	316LUR 14 X04G	304LUR 14 X04	304LUR 14 X04G	1 1/2" * 1/2"
316LUR 14 X06	316LUR 14 X06G	304LUR 14 X06	304LUR 14 X06G	1 1/2" * 3/4"
316LUR 14 X10	316LUR 14 X10G	304LUR 14 X10	304LUR 14 X10G	1 1/2" * 1"
316LUR 14 X12	316LUR 14 X12G	304LUR 14 X12	304LUR 14 X12G	1 1/2" * 1 1/4"
316LUR 20 X04	316LUR 20 X04G	304LUR 20 X04	304LUR 20 X04G	2" * 1/2"
316LUR 20 X06	316LUR 20 X06G	304LUR 20 X06	304LUR 20 X06G	2" * 3/4"
316LUR 20 X10	316LUR 20 X10G	304LUR 20 X10	304LUR 20 X10G	2" * 1"
316LUR 20 X12	316LUR 20 X12G	304LUR 20 X12	304LUR 20 X12G	2" * 1 1/4"
316LUR 20 X14	316LUR 20 X14G	304LUR 20 X14	304LUR 20 X14G	2" * 1 1/2"
316LUR 24 X10	316LUR 24 X10G	304LUR 24 X10	304LUR 24 X10G	2 1/2" * 1"
316LUR 24 X14	316LUR 24 X14G	304LUR 24 X14	304LUR 24 X14G	2 1/2" * 1 1/2"
316LUR 24 X20	316LUR 24 X20G	304LUR 24 X20	304LUR 24 X20G	2 1/2" * 2"
316LUR 30 X14	316LUR 30 X14G	304LUR 30 X14	304LUR 30 X14G	3" * 1/2"
316LUR 30 X20	316LUR 30 X20G	304LUR 30 X20	304LUR 30 X20G	3" * 2"
316LUR 30 X24	316LUR 30 X24G	304LUR 30 X24	304LUR 30 X24G	3" * 2 1/2"
316LUR 40 X20	316LUR 40 X20G	304LUR 40 X20	304LUR 40 X20G	4" * 2"
316LUR 40 X24	316LUR 40 X24G	304LUR 40 X24	304LUR 40 X24G	4" * 2 1/2"
316LUR 40 X30	316LUR 40 X30G	304LUR 40 X30	304LUR 40 X30G	4" * 3"

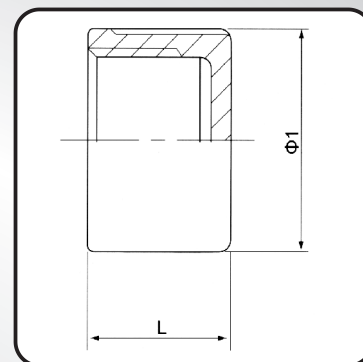


MODELO	TAMANHO	1/4	3/8	1/2		3/4		1		1 1/4	
		1/8	1/4	1/4	1/2	3/8	1/2	1/2	3/4	3/4	1
ISO4144	ø 1	16.5	20	25.5	25.5	31	30	37.5	37.5	46.5	46.5
	ø 2	13	16.5	16.5	20	20	24.7	24.7	31	31	38
	L	25	26	34	34	36	36	42	42	48	48
MODELO	TAMANHO	1 1/2		2		2 1/2		3		4	
		1	1 1/4	1 1/4	1 1/2	1 1/2	2	2	2 1/2	2 1/2	3
ISO4144	ø 1	54	54	66	66	82	82	96.5	96.5	123.5	123.5
	ø 2	38	47	47	54	54	66	66	82	82	96.5
	L	52	52	58	58	65	65	72	72	94	94

TAMPÃO REDONDO



316 NPT	316 BSP	304 NPT	304 BSP	MACHO X FÊMEA
316TAR 01	316TAR 01G	304TAR 01	304TAR 01G	1/8"
316TAR 02	316TAR 02G	304TAR 02	304TAR 02G	1/4"
316TAR 03	316TAR 03G	304TAR 03	304TAR 03G	3/8"
316TAR 04	316TAR 04G	304TAR 04	304TAR 04G	1/2"
316TAR 06	316TAR 06G	304TAR 06	304TAR 06G	3/4"
316TAR 10	316TAR 10G	304TAR 10	304TAR 10G	1"
316TAR 12	316TAR 12G	304TAR 12	304TAR 12G	1 1/4"
316TAR 14	316TAR 14G	304TAR 14	304TAR 14G	1 1/2"
316TAR 20	316TAR 20G	304TAR 20	304TAR 20G	2"
316TAR 24	316TAR 24G	304TAR 24	304TAR 24G	2 1/2"
316TAR 30	316TAR 30G	304TAR 30	304TAR 30G	3"
316TAR 40	316TAR 40G	304TAR 40	304TAR 40G	4"

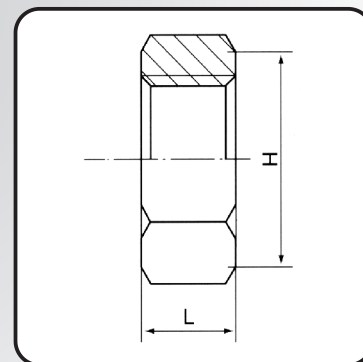


MODELO	TAMANHO	1/8	1/4	3/8	1/2	3/4	1	1 1/4	1 1/2	2	2 1/2	3	4
ISO4144	Ø 1	13.7	16.7	20.7	25.2	30.7	38.2	47.5	54	66.5	83.5	97	123
	L	13.5	17	17.5	21	22.5	26	29	29	33.5	38.5	42	48.5

CONTRA PORCA SEXTAVADA



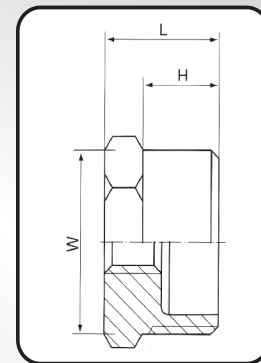
316 NPT	316 BSP	304 NPT	304 BSP	MACHO X FÊMEA
316CP 01	316CP 01G	304CP 01	304CP 01G	1/8"
316CP 02	316CP 02G	304CP 02	304CP 02G	1/4"
316CP 03	316CP 03G	304CP 03	304CP 03G	3/8"
316CP 04	316CP 04G	304CP 04	304CP 04G	1/2"
316CP 06	316CP 06G	304CP 06	304CP 06G	3/4"
316CP 10	316CP 10G	304CP 10	304CP 10G	1"
316CP 12	316CP 12G	304CP 12	304CP 12G	1 1/4"
316CP 14	316CP 14G	304CP 14	304CP 14G	1 1/2"
316CP 20	316CP 20G	304CP 20	304CP 20G	2"
316CP 24	316CP 24G	304CP 24	304CP 24G	2 1/2"
316CP 30	316CP 30G	304CP 30	304CP 30G	3"
316CP 40	316CP 40G	304CP 40	304CP 40G	4"



MODELO	TAMANHO	1/8	1/4	3/8	1/2	3/4	1	1 1/4	1 1/2	2	2 1/2	3	4
ISO4144	L	5	6	6	7	7	9	11	11	13	15	17	20
	H	15	18	22	27	32	40	48	55	68	85	100	125



BUCHA DE REDUÇÃO  
SEXTAVADA



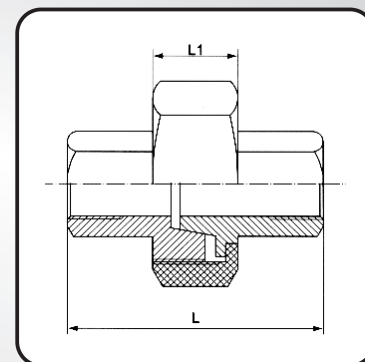
316 NPT	316 BSP	304 NPT	304 BSP	MACHO X FEMÊA
316BUR 02 X01	316BUR 02 X01G	304BUR 02 X01	304BUR 02 X01G	1/4" * 1/8"
316BUR 03 X01	316BUR 03 X01G	304BUR 03 X01	304BUR 03 X01G	3/8" * 1/8"
316BUR 03 X02	316BUR 03 X02G	304BUR 03 X02	304BUR 03 X02G	3/8" * 1/4"
316BUR 04 X01	316BUR 04 X01G	304BUR 04 X01	304BUR 04 X01G	1/2" * 1/8"
316BUR 04 X02	316BUR 04 X02G	304BUR 04 X02	304BUR 04 X02G	1/2" * 1/4"
316BUR 04 X03	316BUR 04 X03G	304BUR 04 X03	304BUR 04 X03G	1/2" * 3/8"
316BUR 06 X01	316BUR 06 X01G	304BUR 06 X01	304BUR 06 X01G	3/4" * 1/8"
316BUR 06 X02	316BUR 06 X02G	304BUR 06 X02	304BUR 06 X02G	3/4" * 1/4"
316BUR 06 X03	316BUR 06 X03G	304BUR 06 X03	304BUR 06 X03G	3/4" * 3/8"
316BUR 06 X04	316BUR 06 X04G	304BUR 06 X04	304BUR 06 X04G	3/4" * 1/2"
316BUR 10 X01	316BUR 10 X01G	304BUR 10 X01	304BUR 10 X01G	1" * 1/8"
316BUR 10 X02	316BUR 10 X02G	304BUR 10 X02	304BUR 10 X02G	1" * 1/4"
316BUR 10 X03	316BUR 10 X03G	304BUR 10 X03	304BUR 10 X03G	1" * 3/8"
316BUR 10 X04	316BUR 10 X04G	304BUR 10 X04	304BUR 10 X04G	1" * 1/2"
316BUR 10 X06	316BUR 10 X06G	304BUR 10 X06	304BUR 10 X06G	1" * 3/4"
316BUR 12 X04	316BUR 12 X04G	304BUR 12 X04	304BUR 12 X04G	1 1/4" * 1/2"
316BUR 12 X06	316BUR 12 X06G	304BUR 12 X06	304BUR 12 X06G	1 1/4" * 3/4"
316BUR 12 X10	316BUR 12 X10G	304BUR 12 X10	304BUR 12 X10G	1 1/4" * 1"
316BUR 14 X04	316BUR 14 X04G	304BUR 14 X04	304BUR 14 X04G	1 1/2" * 1/2"
316BUR 14 X06	316BUR 14 X06G	304BUR 14 X06	304BUR 14 X06G	1 1/2" * 3/4"
316BUR 14 X10	316BUR 14 X10G	304BUR 14 X10	304BUR 14 X10G	1 1/2" * 1"
316BUR 14 X12	316BUR 14 X12G	304BUR 14 X12	304BUR 14 X12G	1 1/2" * 1 1/4"
316BUR 20 X04	316BUR 20 X04G	304BUR 20 X04	304BUR 20 X04G	2" * 1/2"
316BUR 20 X06	316BUR 20 X06G	304BUR 20 X06	304BUR 20 X06G	2" * 3/4"
316BUR 20 X10	316BUR 20 X10G	304BUR 20 X10	304BUR 20 X10G	2" * 1"
316BUR 20 X12	316BUR 20 X12G	304BUR 20 X12	304BUR 20 X12G	2" * 1 1/4"
316BUR 20 X14	316BUR 20 X14G	304BUR 20 X14	304BUR 20 X14G	2" * 1 1/2"
316BUR 24 X04	316BUR 24 X04G	304BUR 24 X04	304BUR 24 X04G	2 1/2" * 1/2"
316BUR 24 X06	316BUR 24 X06G	304BUR 24 X06	304BUR 24 X06G	2 1/2" * 3/4"
316BUR 24 X10	316BUR 24 X10G	304BUR 24 X10	304BUR 24 X10G	2 1/2" * 1"
316BUR 24 X12	316BUR 24 X12G	304BUR 24 X12	304BUR 24 X12G	2 1/2" * 1 1/4"
316BUR 24 X14	316BUR 24 X14G	304BUR 24 X14	304BUR 24 X14G	2 1/2" * 1 1/2"
316BUR 24 X20	316BUR 24 X20G	304BUR 24 X20	304BUR 24 X20G	2 1/2" * 2"
316BUR 30 X06	316BUR 30 X06G	304BUR 30 X06	304BUR 30 X06G	3" * 3/4"
316BUR 30 X10	316BUR 30 X10G	304BUR 30 X10	304BUR 30 X10G	3" * 1"
316BUR 30 X12	316BUR 30 X12G	304BUR 30 X12	304BUR 30 X12G	3" * 1 1/4"
316BUR 30 X14	316BUR 30 X14G	304BUR 30 X14	304BUR 30 X14G	3" * 1 1/2"
316BUR 30 X20	316BUR 30 X20G	304BUR 30 X20	304BUR 30 X20G	3" * 2"
316BUR 30 X24	316BUR 30 X24G	304BUR 30 X24	304BUR 30 X24G	3" * 2 1/2"
316BUR 40 X20	316BUR 40 X20G	304BUR 40 X20	304BUR 40 X20G	4" * 2"
316BUR 40 X24	316BUR 40 X24G	304BUR 40 X24	304BUR 40 X24G	4" * 2 1/2"
316BUR 40 X30	316BUR 40 X30G	304BUR 40 X30	304BUR 40 X30G	4" * 3"

MODELO	TAMANHO	1/4	3/8	1/2		3/4		1		1 1/4	
		1/8	1/4	1/4	3/8	3/8	1/2	1/2	3/4	3/4	1
ISO4144	H	11.5	12	14.5	14.5	15.5	15.5	17.5	17.5	20	20
	L	16	16.5	20	20	21	21	24	24	27	27
	W	14	18	22	22	27.5	27.5	34.5	34.5	43	43
MODELO	TAMANHO	1 1/2		2		2 1/2		3		4	
		1	1 1/4	1 1/4	1 1/2	1 1/2	2	2	2 1/2	2 1/2	3
ISO4144	H	20.5	20.5	24	24	27	27	30	30	35	35
	L	28.5	28.5	32	32	37	37	40	40	45	45
	W	49	49	61	61	76	76	90	90	115	115

UNIÃO C/ ASSENTO INTEGRAL F/F

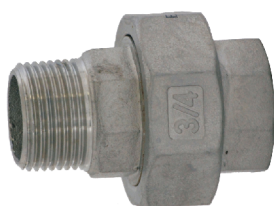


316 NPT	316 BSP	304 NPT	304 BSP	MACHO X FÊMEA
316UF 01	316UF 01G	304UF 01	304UF 01G	1/8"
316UF 02	316UF 02G	304UF 02	304UF 02G	1/4"
316UF 03	316UF 03G	304UF 03	304UF 03G	3/8"
316UF 04	316UF 04G	304UF 04	304UF 04G	1/2"
316UF 06	316UF 06G	304UF 06	304UF 06G	3/4"
316UF 10	316UF 10G	304UF 10	304UF 10G	1"
316UF 12	316UF 12G	304UF 12	304UF 12G	1 1/4"
316UF 14	316UF 14G	304UF 14	304UF 14G	1 1/2"
316UF 20	316UF 20G	304UF 20	304UF 20G	2"
316UF 24	316UF 24G	304UF 24	304UF 24G	2 1/2"
316UF 30	316UF 30G	304UF 30	304UF 30G	3"
316UF 40	316UF 40G	304UF 40	304UF 40G	4"

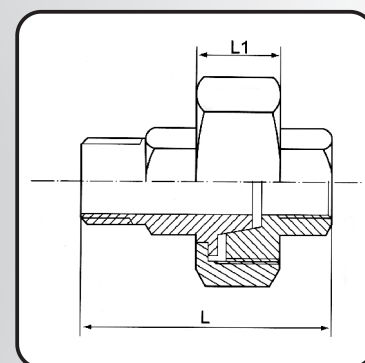


MODELO	TAMANHO	1/8	1/4	3/8	1/2	3/4	1	1 1/4	1 1/2	2	2 1/2	3	4
ISO4144	L1	13	13.5	15	16	17	20	22	24	27	29.5	31	34
	L	30	33.5	36.5	39.5	42.5	50	54	58	65	75	83	110

UNIÃO C/ASSENTO INTEGRAL ROSCA MACHO/FEMEA



316 NPT	316 BSP	304 NPT	304 BSP	MACHO X FÊMEA
316UMF 01	316UMF 01G	304UMF 01	304UMF 01G	1/8"
316UMF 02	316UMF 02G	304UMF 02	304UMF 02G	1/4"
316UMF 03	316UMF 03G	304UMF 03	304UMF 03G	3/8"
316UMF 04	316UMF 04G	304UMF 04	304UMF 04G	1/2"
316UMF 06	316UMF 06G	304UMF 06	304UMF 06G	3/4"
316UMF 10	316UMF 10G	304UMF 10	304UMF 10G	1"
316UMF 12	316UMF 12G	304UMF 12	304UMF 12G	1 1/4"
316UMF 14	316UMF 14G	304UMF 14	304UMF 14G	1 1/2"
316UMF 20	316UMF 20G	304UMF 20	304UMF 20G	2"
316UMF 24	316UMF 24G	304UMF 24	304UMF 24G	2 1/2"
316UMF 30	316UMF 30G	304UMF 30	304UMF 30G	3"
316UMF 40	316UMF 40G	304UMF 40	304UMF 40G	4"

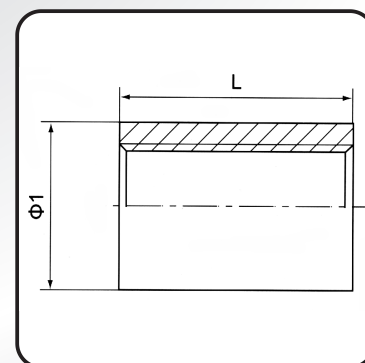


MODELO	TAMANHO	1/8	1/4	3/8	1/2	3/4	1	1 1/4	1 1/2	2	2 1/2	3	4
ISO4144	L1	13	13.5	15	16	17	20	22	24	27	29.5	31	34
	L	38	44	47.5	54	58	68	74.5	78.5	90	102	113	146

LUVA LISA ROSCA FEMEA



316 NPT	316 BSP	304 NPT	304 BSP	MACHO X FÊMEA
316LUL 01	316LUL 01G	304LUL 01	304LUL 01G	1/8"
316LUL 02	316LUL 02G	304LUL 02	304LUL 02G	1/4"
316LUL 03	316LUL 03G	304LUL 03	304LUL 03G	3/8"
316LUL 04	316LUL 04G	304LUL 04	304LUL 04G	1/2"
316LUL 06	316LUL 06G	304LUL 06	304LUL 06G	3/4"
316LUL 10	316LUL 10G	304LUL 10	304LUL 10G	1"
316LUL 12	316LUL 12G	304LUL 12	304LUL 12G	1 1/4"
316LUL 14	316LUL 14G	304LUL 14	304LUL 14G	1 1/2"
316LUL 20	316LUL 20G	304LUL 20	304LUL 20G	2"
316LUL 24	316LUL 24G	304LUL 24	304LUL 24G	2 1/2"
316LUL 30	316LUL 30G	304LUL 30	304LUL 30G	3"
316LUL 40	316LUL 40G	304LUL 40	304LUL 40G	4"

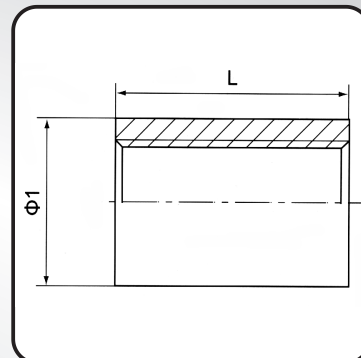


MODELO	TAMANHO	1/8	1/4	3/8	1/2	3/4	1	1 1/4	1 1/2	2	2 1/2	3	4
ISO4144	ø 1	13	16	20	24.5	30	37.5	46.5	53	65.5	82	95.5	121.5
	L	17	24	25	32	35	41	45	45	54	63	69	81

MEIA LUVIA LISA ROSCA FEMEA



316 NPT	316 BSP	304 NPT	304 BSP	MACHO X FÊMEA
316MLUL 01	316MLUL 01G	304MLUL 01	304MLUL 01G	1/8"
316MLUL 02	316MLUL 02G	304MLUL 02	304MLUL 02G	1/4"
316MLUL 03	316MLUL 03G	304MLUL 03	304MLUL 03G	3/8"
316MLUL 04	316MLUL 04G	304MLUL 04	304MLUL 04G	1/2"
316MLUL 06	316MLUL 06G	304MLUL 06	304MLUL 06G	3/4"
316MLUL 10	316MLUL 10G	304MLUL 10	304MLUL 10G	1"
316MLUL 12	316MLUL 12G	304MLUL 12	304MLUL 12G	1 1/4"
316MLUL 14	316MLUL 14G	304MLUL 14	304MLUL 14G	1 1/2"
316MLUL 20	316MLUL 20G	304MLUL 20	304MLUL 20G	2"
316MLUL 24	316MLUL 24G	304MLUL 24	304MLUL 24G	2 1/2"
316MLUL 30	316MLUL 30G	304MLUL 30	304MLUL 30G	3"
316MLUL 40	316MLUL 40G	304MLUL 40	304MLUL 40G	4"

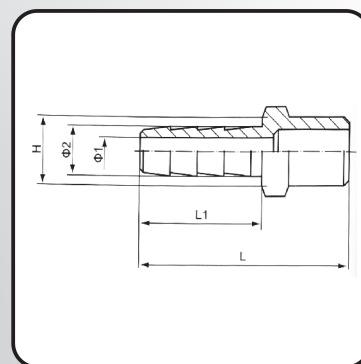


MODELO	TAMANHO	1/8	1/4	3/8	1/2	3/4	1	1 1/4	1 1/2	2	2 1/2	3	4
ISO4144	ø 1	13	16	20	24.5	30	37.5	46.5	53	65.5	82	95.5	121.5
	L	8,5	12	12,5	16	17,5	20,5	22,5	22,5	27	31,5	34,5	40,5

ESPIGÃO MACHO



316 NPT	316 BSP	304 NPT	304 BSP	ESPIGA X ROSCA
316EM 01	316EM 01G	304EM 01	304EM 01G	1/8"
316EM 02	316EM 02G	304EM 02	304EM 02G	1/4"
---	316EM0201G	---	304EM0201G	1/4**1/8"
316EM 03	316EM 03G	304EM 03	304EM 03G	3/8"
---	316EM 0302G	---	304EM 0302G	3/8**1/4"
---	316EM 0304G	---	304EM 0304G	3/8**1/2"
316EM 04	316EM 04G	304EM 04	304EM 04G	1/2"
---	316EM 0403G	---	304EM 0403G	1/2**3/8"
316EM 06	316EM 06G	304EM 06G	304EM 06G	3/4"
---	316EM 0604G	---	304EM 0604G	3/4**1/2"
---	316EM 0610G	---	304EM 0610G	3/4**1"
316EM 10	316EM 10G	304EM 10G	304EM 10G	1"
---	316EM 1006G	---	304EM 1006G	1**3/4"
316EM 12	316EM 12G	304EM 12	304EM 12G	1 1/4"
316EM 14	316EM 14G	304EM 14	304EM 14G	1 1/2"
316EM 20	316EM 20G	304EM 20	304EM 20G	2"
316EM 24	316EM 24G	304EM 24	304EM 24G	2 1/2"
316EM 30	316EM 30G	304EM 30	304EM 30G	3"
316EM 40	316EM 40G	304EM 40	304EM 40G	4"

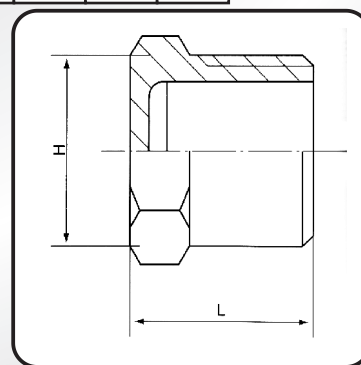


MODELO	TAMANHO	1/8	1/4	3/8	1/2	3/4	1	1 1/4	1 1/2	2	2 1/2	3	4
ISO4144	L	38	42.5	49	57.5	66	76	79	83	92	99	107.5	117
	L1	26	28	33	38	45	52	52	56	60	65	70	73
	ø 1	4	5	7	10.5	15	22	27.5	34	45	59	71	95
	ø 2	8	9	11.5	15	20	27	33	39.5	52	67	80	105
	H	11	15	18	22	22	35	43.5	49.5	62	77.5	90.5	117

PLUG (BUJÃO) SEXTAVADO



316 NPT	316 BSP	304 NPT	304 BSP	MACHO X FÊMEA
316PLU 01	316PLU 01G	304PLU 01	304PLU 01G	1/8"
316PLU 02	316PLU 02G	304PLU 02	304PLU 02G	1/4"
316PLU 03	316PLU 03G	304PLU 03	304PLU 03G	3/8"
316PLU 04	316PLU 04G	304PLU 04	304PLU 04G	1/2"
316PLU 06	316PLU 06G	304PLU 06	304PLU 06G	3/4"
316PLU 10	316PLU 10G	304PLU 10	304PLU 10G	1"
316PLU 12	316PLU 12G	304PLU 12	304PLU 12G	1 1/4"
316PLU 14	316PLU 14G	304PLU 14	304PLU 14G	1 1/2"
316PLU 20	316PLU 20G	304PLU 20	304PLU 20G	2"
316PLU 24	316PLU 24G	304PLU 24	304PLU 24G	2 1/2"
316PLU 30	316PLU 30G	304PLU 30	304PLU 30G	3"
316PLU 40	316PLU 40G	304PLU 40	304PLU 40G	4"

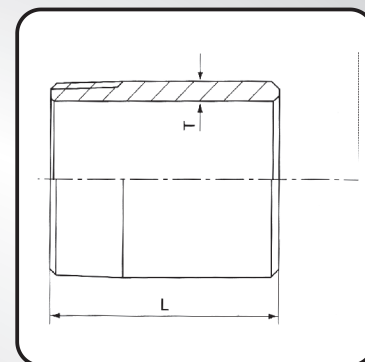


MODELO	TAMANHO	1/8	1/4	3/8	1/2	3/4	1	1 1/4	1 1/2	2	2 1/2	3	4
ISO4144	H	11	15	18	22	28	35	43.5	49.5	62	77.5	90.5	117
	L	12	14.5	16	19.5	21	24	27	27	32	34	37.5	44

PONTA ROSCADA



316 NPT	316 BSP	304 NPT	304 BSP	MACHO X FÊMEA
316PR 01	316PR 01G	304PR 01	304PR 01G	1/8"
316PR 02	316PR 02G	304PR 02	304PR 02G	1/4"
316PR 03	316PR 03G	304PR 03	304PR 03G	3/8"
316PR 04	316PR 04G	304PR 04	304PR 04G	1/2"
316PR 06	316PR 06G	304PR 06	304PR 06G	3/4"
316PR 10	316PR 10G	304PR 10	304PR 10G	1"
316PR 12	316PR 12G	304PR 12	304PR 12G	1 1/4"
316PR 14	316PR 14G	304PR 14	304PR 14G	1 1/2"
316PR 20	316PR 20G	304PR 20	304PR 20G	2"
316PR 24	316PR 24G	304PR 24	304PR 24G	2 1/2"
316PR 30	316PR 30G	304PR 30	304PR 30G	3"
316PR 40	316PR 40G	304PR 40	304PR 40G	4"

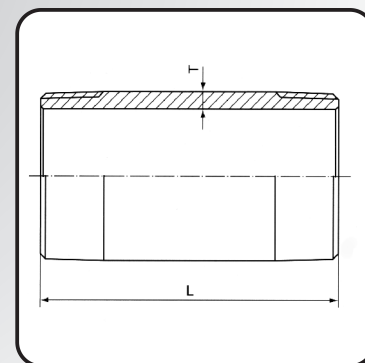


MODELO	TAMANHO	1/8	1/4	3/8	1/2	3/4	1	1 1/4	1 1/2	2	2 1/2	3	4
SCH-40	L	2	2.5	2.31	2.77	2.87	3.38	3.56	3.68	3.91	5.16	5.49	6.02
	L(mm)	40	40	40	60	60	60	80	80	100	100	120	150

NIPPLE DUPLO LISO  
ROSCA MACHO



316 NPT	316 BSP	304 NPT	304 BSP	MACHO X FÊMEA
316NDL 01	316NDL 01G	304NDL 01	304NDL 01G	1/8"
316NDL 02	316NDL 02G	304NDL 02	304NDL 02G	1/4"
316NDL 03	316NDL 03G	304NDL 03	304NDL 03G	3/8"
316NDL 04	316NDL 04G	304NDL 04	304NDL 04G	1/2"
316NDL 06	316NDL 06G	304NDL 06	304NDL 06G	3/4"
316NDL 10	316NDL 10G	304NDL 10	304NDL 10G	1"
316NDL 12	316NDL 12G	304NDL 12	304NDL 12G	1 1/4"
316NDL 14	316NDL 14G	304NDL 14	304NDL 14G	1 1/2"
316NDL 20	316NDL 20G	304NDL 20	304NDL 20G	2"
316NDL 24	316NDL 24G	304NDL 24	304NDL 24G	2 1/2"
316NDL 30	316NDL 30G	304NDL 30	304NDL 30G	3"
316NDL 40	316NDL 40G	304NDL 40	304NDL 40G	4"

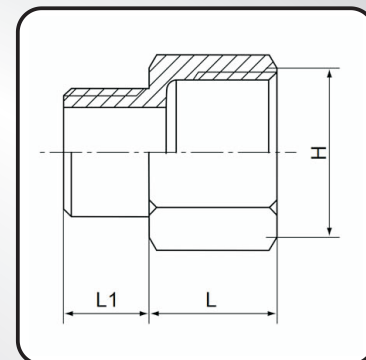


TAMANHO	1/8	1/4	3/8	1/2	3/4	1	1 1/4	1 1/2	2	2 1/2	3	4
L	2	2.5	2.31	2.77	2.87	3.38	3.56	3.68	3.91	5.16	5.49	6.02
L(mm)	30	30	30	35	40	40	50	50	50	60	70	80





316 NPT	316 BSP	304 NPT	304 BSP	FÊMEA X MACHO
316 ADT 02X01	316 ADT 02X01G	304 ADT 02X01	304 ADT 02X01G	1/4 * 1/8
316 ADT 03X02	316 ADT 03X02G	304 ADT 03X02	304 ADT 03X02G	3/8 * 1/4
316 ADT 04X02	316 ADT 04X02G	304 ADT 04X02	304 ADT 04X02G	1/2 * 1/4
316 ADT 04X03	316 ADT 04X03G	304 ADT 04X03	304 ADT 04X03G	1/2 * 3/8
316 ADT 06X03	316 ADT 06X03G	304 ADT 06X03	304 ADT 06X03G	3/4 * 3/8
316 ADT 06X04	316 ADT 06X04G	304 ADT 06X04	304 ADT 06X04G	3/4 * 1/2
316 ADT 10X04	316 ADT 10X04G	304 ADT 10X04	304 ADT 10X04G	1 * 1/2
316 ADT 10X06	316 ADT 10X06G	304 ADT 10X06	304 ADT 10X06G	1 * 3/4
316 ADT 12X10	316 ADT 12X10G	304 ADT 12X10	304 ADT 12X10G	1 1/4 * 1
316 ADT 14X10	316 ADT 14X10G	304 ADT 14X10	304 ADT 14X10G	1 1/2 * 1
316 ADT 14X12	316 ADT 14X12G	304 ADT 14X12	304 ADT 14X12G	1 1/2 * 1 1/2
316 ADT 20X12	316 ADT 20X12G	304 ADT 20X12	304 ADT 20X12G	2 * 1 1/4
316 ADT 20X14	316 ADT 20X14G	304 ADT 20X14	304 ADT 20X14G	2 * 1 1/2



STANDARD	TAMANHO	1/4	3/8	1/2		3/4		1		1 1/4	
		1/8	1/4	1/4	3/8	3/8	1/2	1/2	3/4	3/4	1
ISO4144	L1	17	17.5	21	21	22.5	22.5	26	26	29	29
	L	8	10.5	10.5	11	11	14.5	14.5	15.5	15.5	18
	H	17	20.5	20.5	25	31	31	38	38	47	47
STANDARD	TAMANHO	1 1/2		2		2 1/2		3		4	
		1	1 1/4	1 1/4	1 1/2	1 1/2	2	2	2 1/2	2 1/2	3
ISO4144	L1	29	29	33.5	33.5	38.5	38.5	42	42	48.8	48.5
	L	18	20.5	20.5	20.5	20.5	25	25	27	27	30
	H	53	53	66	66	82	82	95.5	95.5	121.5	121.5