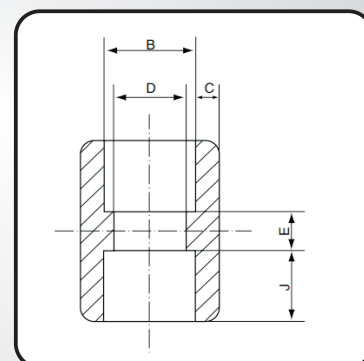


LUVA C/ ROSCA - FÊMEA SW



3000 LIBRAS		
304	316	
304 LU 04SW	316 LU 04SW	1/2
304 LU 06SW	316 LU 06SW	3/4
304 LU 10SW	316 LU 10SW	1
304 LU 12SW	316 LU 12SW	1 1/4
304 LU 14SW	316 LU 14SW	1 1/2
304 LU 20SW	316 LU 20SW	2

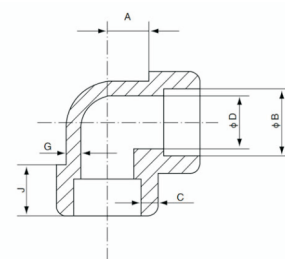


DN	DIÂMETRO DO TUBO	FURO DO SUPORTE B	DIÂMETRO DO FURO DOS ACESSÓRIOS D	ESPESSURA DA PAREDE DO SOQUETE C		PAREDE DO CORPO G
			DESIGNAÇÃO DE CLASSE	DESIGNAÇÃO DE CLASSE		DESIGNAÇÃO DE CLASSE
			3000	3000		3000
				AVE.	MÍN.	AVE.
6	1/8	11.2	7.6	3.18	3.18	2.41
		10.8	6.1			
8	1/4	14.6	10	3.78	3.30	3.02
		14.2	8.5			
10	3/8	18	13.3	4.01	3.50	3.20
		17.6	11.8			
15	1/2	22.2	16.6	4.67	4.09	3.73
		21.8	15.0			
20	3/4	27.6	21.7	4.90	4.27	3.91
		27.2	20.2			
25	1	34.3	27.4	5.69	4.98	4.55
		33.9	25.9			
32	1 1/4	43.1	35.8	6.07	5.28	4.85
		42.7	34.3			
40	1 1/2	49.2	41.6	6.35	5.54	5.08
		48.8	40.1			
50	2	61.7	53.3	6.93	6.04	5.54
		61.2	51.7			
65	2 1/2	74.4	64.2	8.76	7.67	7.01
		73.9	61.2			
80	3	90.3	79.4	9.52	8.30	7.62
		89.8	76.4			
100	4	115.7	103.8	10.69	9.35	8.56
		115.2	100.7			

COTOVELO 90° FÊMEA SW



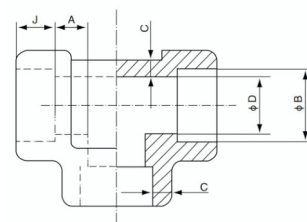
3000 LIBRAS		
304	316	
304 L 04SW	316 L 04SW	1/2
304 L 06SW	316 L 06SW	3/4
304 L 10SW	316 L 10SW	1
304 L 12SW	316 L 12SW	1 1/4
304 L 14SW	316 L 14SW	1 1/2
304 L 20SW	316 L 20SW	2



TC/ ROSCA FÊMEA SW



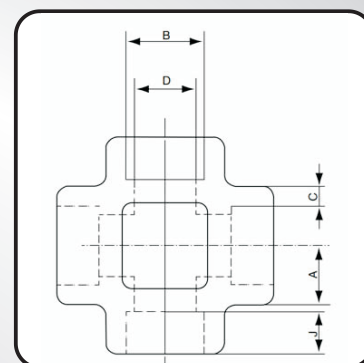
3000 LIBRAS		
304	316	
304 T 04SW	316 T 04SW	1/2
304 T 06SW	316 T 06SW	3/4
304 T 10SW	316 T 10SW	1
304 T 12SW	316 T 12SW	1 1/4
304 T 14SW	316 T 14SW	1 1/2
304 T 20SW	316 T 20SW	2



CRUZETA C/ ROSCA - FÊMEA SW

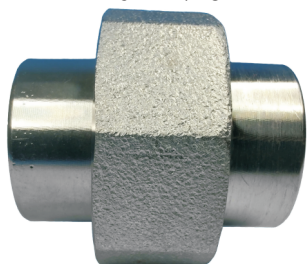


3000 LIBRAS		
304	316	
304 CR 04SW	316 CR 04SW	1/2
304 CR 06SW	316 CR 06SW	3/4
304 CR 10SW	316 CR 10SW	1
304 CR 12SW	316 CR 12SW	1 1/4
304 CR 14SW	316 CR 14SW	1 1/2
304 CR 20SW	316 CR 20SW	2

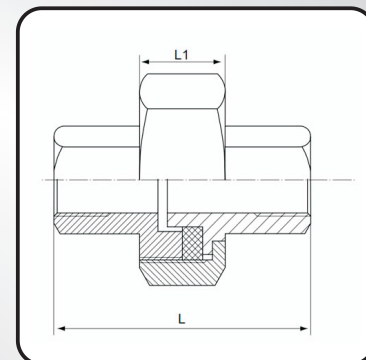


PROFUNDIDADE SOQUETE J	CENTRO DA PARTE INFERIOR A		COMPIMENTO DEITADO		TOLERÂNCIAS	ESPESSURA PAREDE FINAL K
	COTOVELO 90°, TEE E CRUZETA		ACOPLAMENTOS E	MEIO ACOPLAMENTOS F		3000
	DESIGNAÇÃO DE CLASSE					
	3000	3000				
9.5	11.0	8.0	6.50	16.0		5.0
9.5	11.0	8.0	6.50	16.0		5.0
9.5	13.5	8.0	6.50	17.5		5.0
9.5	15.5	11.0	9.50	22.5		6.5
12.5	19	13.0	9.50	24.0		7.0
12.5	22.5	11.0	12.50	28.5		10.0
12.5	27.0	17.5	12.50	30.0		10.0
12.5	32.0	20.5	12.50	32.0		11.0
16.0	38.0	25.5	19.0	41.0		13.0
16.0	41.0	28.5	19.0	43.0		16.0
16.0	57.0	32.0	19.0	44.5		19.0
16.0	66.5	41.0	19.0	48.0		20.0

UNIÃO C/ ASSENTO  
INTEGRAL F/F SW



3000 LIBRAS		
304	316	
304 UF 04SW	316 UF 04SW	1/2
304 UF 06SW	316 UF 06SW	3/4
304 UF 10SW	316 UF 10SW	1
304 UF 12SW	316 UF 12SW	1 1/4
304 UF 14SW	316 UF 14SW	1 1/2
304 UF 20SW	316 UF 20SW	2



TAMPÃO REDONDO SW



3000 LIBRAS		
304	316	
304 TAR 04SW	316 TAR 04SW	1/2
304 TAR 06SW	316 TAR 06SW	3/4
304 TAR 10SW	316 TAR 10SW	1
304 TAR 12SW	316 TAR 12SW	1 1/4
304 TAR 14SW	316 TAR 14SW	1 1/2
304 TAR 20SW	316 TAR 20SW	2

