

Válvula

Válvula Esfera Bipartida Flangeada em Aço Inox

Válvula Esfera Flangeada Inox



304 BSP	316 BSP	ROSCA
304BV2PF04G	316BV2PF04G	1/2"
304BV2PF06G	316BV2PF06G	3/4"
304BV2PF10G	316BV2PF10G	1"
304BV2PF12G	316BV2PF12G	1 1/4"
304BV2PF14G	316BV2PF14G	1 1/2"
304BV2PF20G	316BV2PF20G	2"

Base para Atuador



304 BSP	316 BSP	ROSCA
304BV2PF04BG	316BV2PF04BG	1/2"
304BV2PF06BG	316BV2PF06BG	3/4"
304BV2PF10BG	316BV2PF10BG	1"
304BV2PF12BG	316BV2PF12BG	1 1/4"
304BV2PF14BG	316BV2PF14BG	1 1/2"
304BV2PF20BG	316BV2PF20BG	2"

Válvula

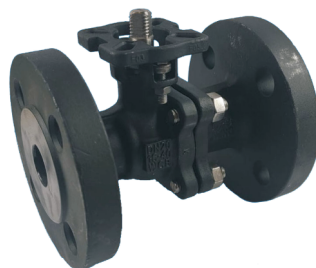
Válvula Esfera Bipartida Flangeada WCB

Válvula Esfera Flangeada



ITEM	ROSCA
WCBBV2PF04G	1/2"
WCBBV2PF06G	3/4"
WCBBV2PF10G	1"
WCBBV2PF12G	1 1/4"
WCBBV2PF14G	1 1/2"
WCBBV2PF20G	2"

Base para Atuador



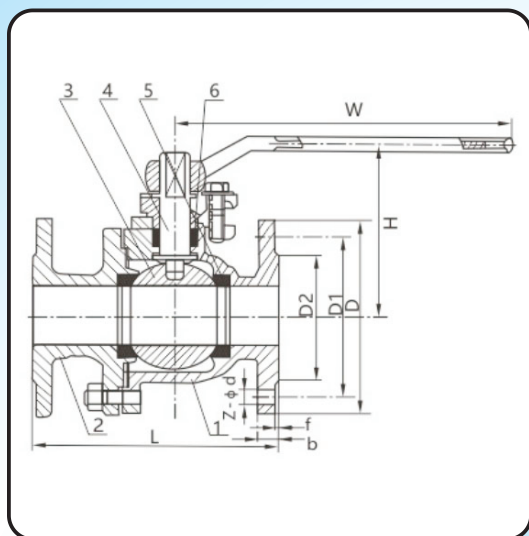
ITEM	ROSCA
WCBBV2PF04BG	1/2"
WCBBV2PF06BG	3/4"
WCBBV2PF10BG	1"
WCBBV2PF12BG	1 1/4"
WCBBV2PF14BG	1 1/2"
WCBBV2PF20BG	2"

OBS.: MATERIAL WCB AÇO FUNDIDO COM CARBONO

Características	
Modelo	GB/T 12237, API608, JPI 7S-48
Extremidades Flangeadas	GB/T 9113, JB/T 79, HG 20596, ANSI B16.5, JIS B2212-B2214
Teste e Inspeções	JB/T9092, GB/T 13927, API598
Aplicação	Ar, Água, Óleo, Gás
Pressão de Trabalho	16 Bar
Temperatura	-29...150°C

Válvula

Válvula Esfera Bipartida Flangeada



TAMANHO		L	D	D1	D2	Z-ø D
1/2"	DN15	130	95	65	45	4-14
3/4"	DN20	140	105	75	55	4-14
1"	DN25	150	115	85	65	4-14
1-1/4"	DN32	165	135	100	78	4-18
1-1/2"	DN40	180	145	110	85	4-18
2"	DN50	200	160	125	100	4-18
2-1/2"	DN65	220	180	145	120	4-18
3"	DN80	250	195	160	135	8-18
4"	DN100	280	215	180	155	8-18
5"	DN125	320	245	210	185	8-18
6"	DN150	360	280	240	210	8-23
8"	DN200	400	335	295	295	12-23

TAMANHO		150LB					10K				
		L	D	D1	D2	Z-ø D	L	D	D1	D2	Z-ø D
1/2"	DN15	108	89	60.5	35	4-16	108	95	70	51	4-15
3/4"	DN20	117	98	70	43	4-16	117	100	75	56	4-15
1"	DN25	127	108	79.5	51	4-16	127	125	90	67	4-19
1-1/4"	DN32	140	118	89	63.5	4-16	140	135	100	76	4-19
1-1/2"	DN40	165	127	98.5	73	4-16	165	140	105	81	4-19
2"	DN50	178	152	120.5	92	4-19	178	155	120	96	4-19
2-1/2"	DN65	190	178	139.5	105	4-19	190	175	140	116	4-19
3"	DN80	203	190	152.5	127	4-19	203	185	150	126	8-19
4"	DN100	229	229	190.5	157	8-19	229	210	175	151	8-19
5"	DN125	356	254	216	186	8-23	356	250	210	182	8-23
6"	DN150	394	279	241.5	216	8-23	394	280	240	212	8-23
8"	DN200	457	343	298.5	270	8-23	457	330	290	262	12-23